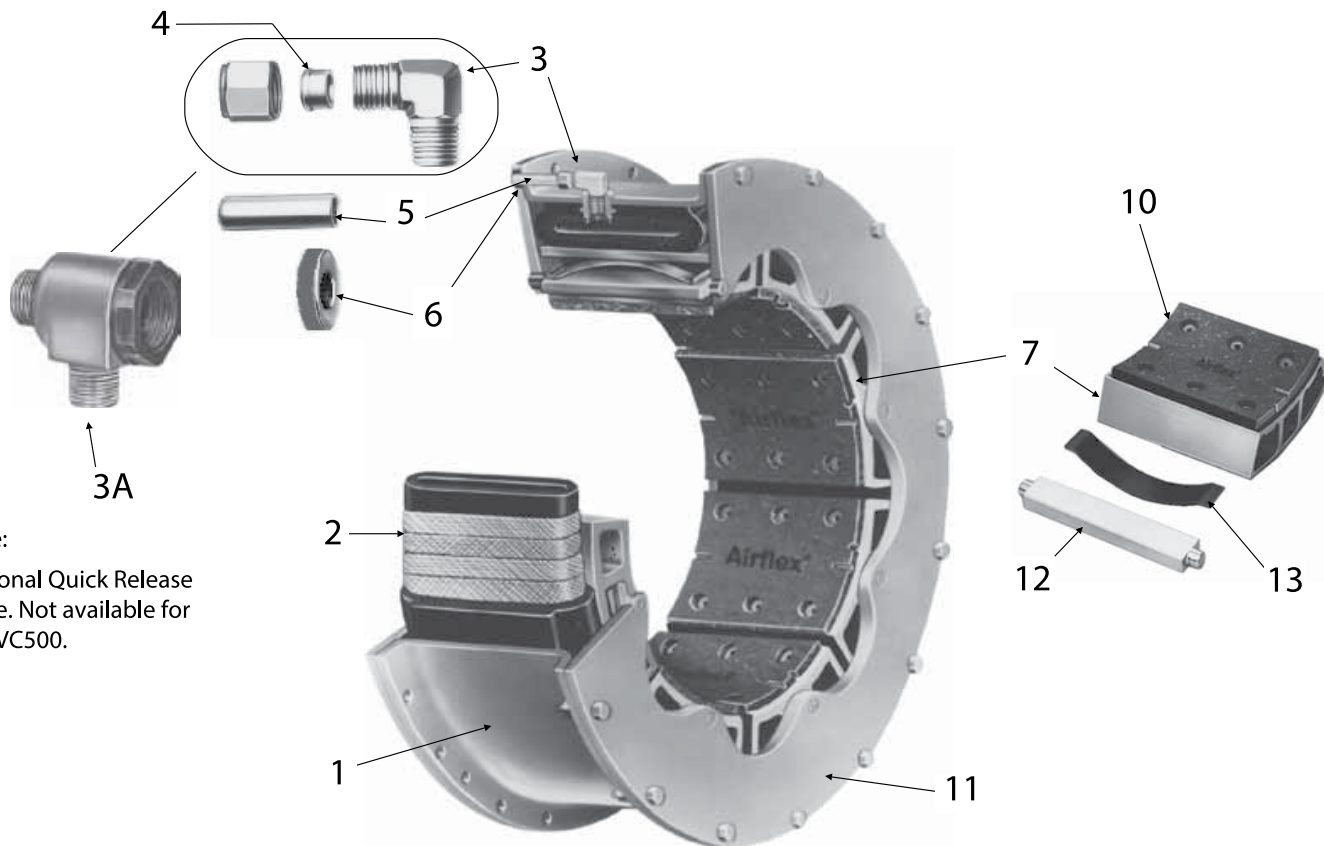
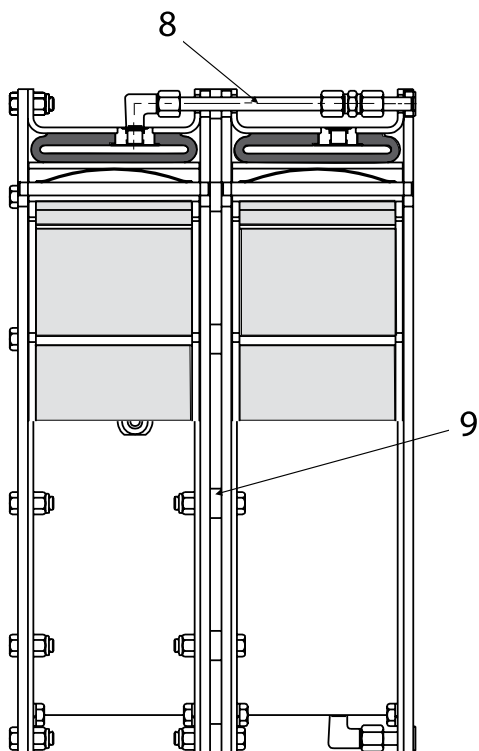


Airflex® VC Component Descriptions

Section B



Note:
Optional Quick Release Valve. Not available for 11.5VC500.



Item	Component Description
1	Rim
2	Tube (with valve stem snap rings where required)
3	Elbow Assembly
3A	Optional -Quick Release Valve Assembly
4	Compression Ring (included with items 3&3A)
5	Air Connection Tube
6	Air Connection Gasket
7	Friction Shoe Assembly
8	Air Tube Group (Dual Mounted)
9	Spacer Group (Dual Mounted)
10	Replacement Friction Lining & Fastener Kit
11	Side Plate (2 required)
12	Torque Bar
13	Release Spring
7, 12, & 13	Friction Shoe, Torque Bar & Spring Kit