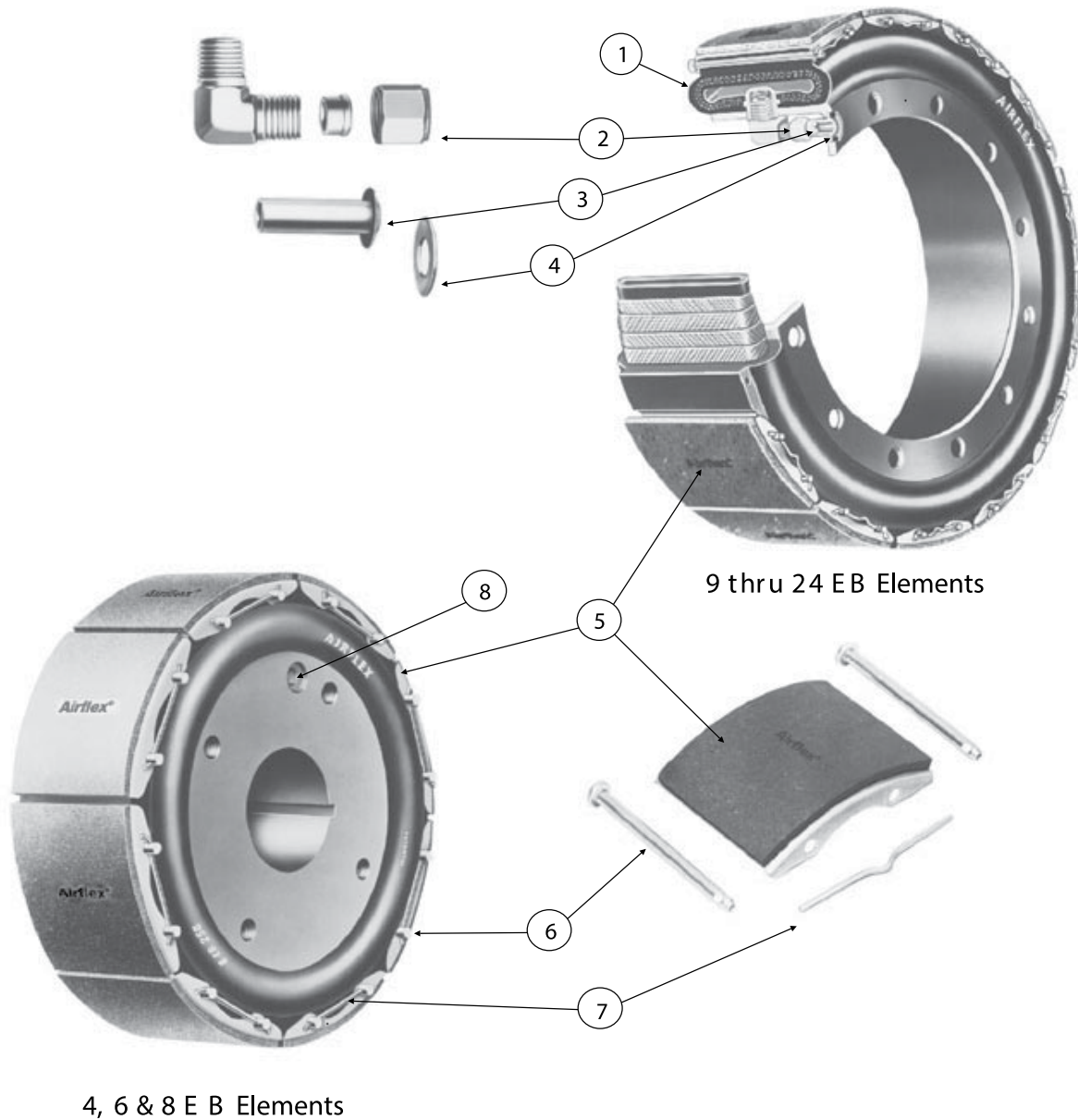


Airflex® EB Components Descriptions

Section C



| Size | Torque Rating | |
|-----------|---------------------|---------------------|
| | English | SI |
| | lb · in @ 75 psi | N · m @ 5, 2 bar |
| 4EB125 | 390 | 44,1 |
| 6EB200 | 910 | 103 |
| 8EB250 | 2220 | 251 |
| 9EB325 | 3750 | 424 |
| 10EB300 | 4275 | 483 |
| 12EB350 | 7500 | 848 |
| 14EB400 | 12000 | 1360 |
| 16EB475 | 18750 | 2120 |
| 19EB475 | 27000 | 3050 |
| 21.5EB475 | 36000 | 4070 |
| 24EB475 | 45000 | 5090 |

| Size | Torque Rating | |
|-----------|---------------------|---------------------|
| | English | SI |
| | lb · in @ 75 psi | N · m @ 5, 2 bar |
| 3ER125 | 400 | 45,2 |
| 6ER200 | 1540 | 174 |
| 8ER250 | 3550 | 401 |
| 10ER300 | 6600 | 746 |
| 12ER350 | 12300 | 1390 |
| 14ER400 | 22600 | 2550 |
| 16ER475 | 32600 | 3680 |
| 19ER475 | 47600 | 5380 |
| 21.5ER475 | 63000 | 7120 |
| 24ER475 | 83500 | 9440 |

| Item | Component Description |
|-------|-------------------------------------|
| 1 | Rim or hub and tube assembly |
| 2 | Elbow assembly |
| 3 | Air connection tube |
| 4 | Air connection gasket |
| 5 | Friction shoe |
| 6 | Shoe pin |
| 7 | Lockwire |
| 8 | Pipe plug |
| 5,6,7 | Friction shoe, pin and lockwire kit |