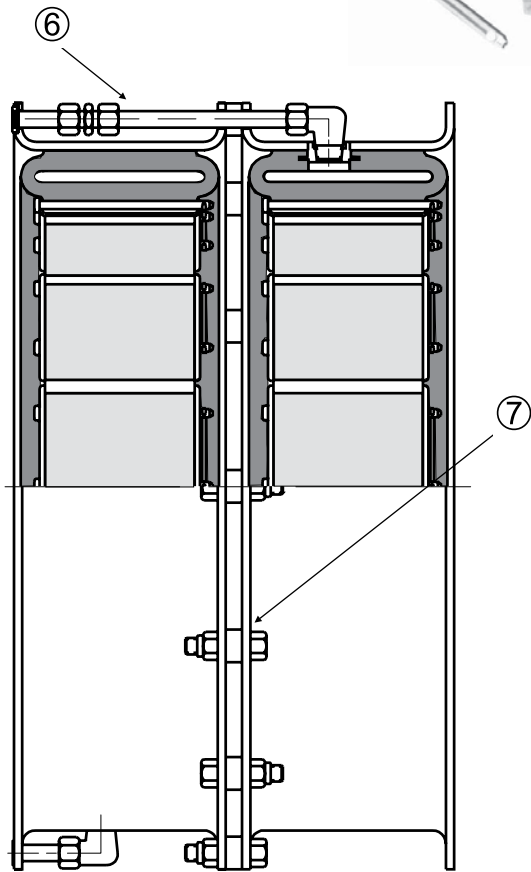
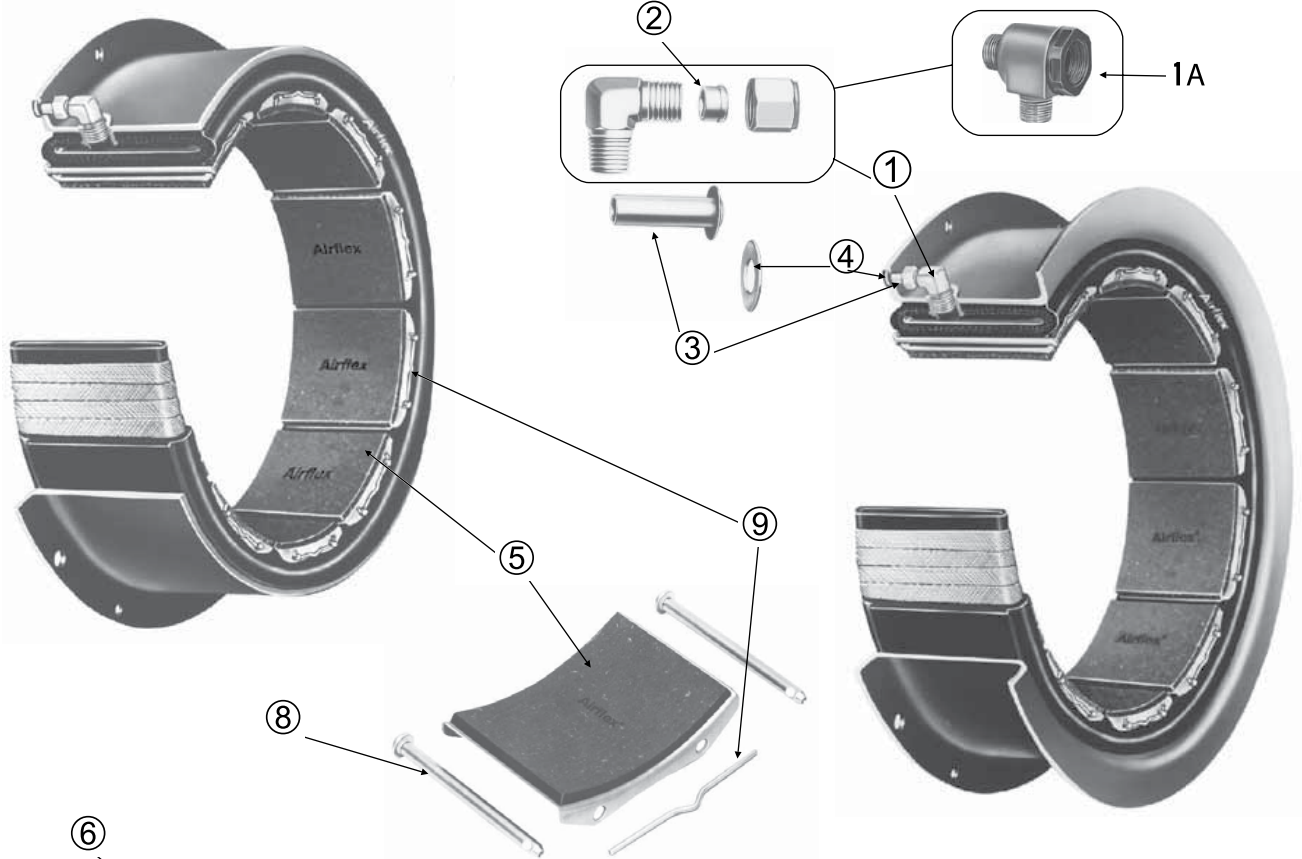


Airflex® CB Component Descriptions

Section B



Item	Component Description
1	Elbow Assembly
1A ❶	Optional -Quick Release Valve Assembly
1B ❶	Optional -Quick Release Valve Muffler
2	Compression Ring
3	Air Connection Tube
4	Air Connection Gasket
5 ❷	Friction Shoe Assembly
6	Air Tube Group (Dual Mounted)
7	Spacer Group (Dual Mounted)
8 ❷	Shoe Pin
9 ❷	Lockwire
5, 8 & 9	Friction Shoe Replacement Kit

Notes:

- ❶ This option not available for sizes 3 thru 14.
- ❷ These items are not applicable to sizes 3 thru 14. The friction material is bonded to the rubber tube and is not replaceable.