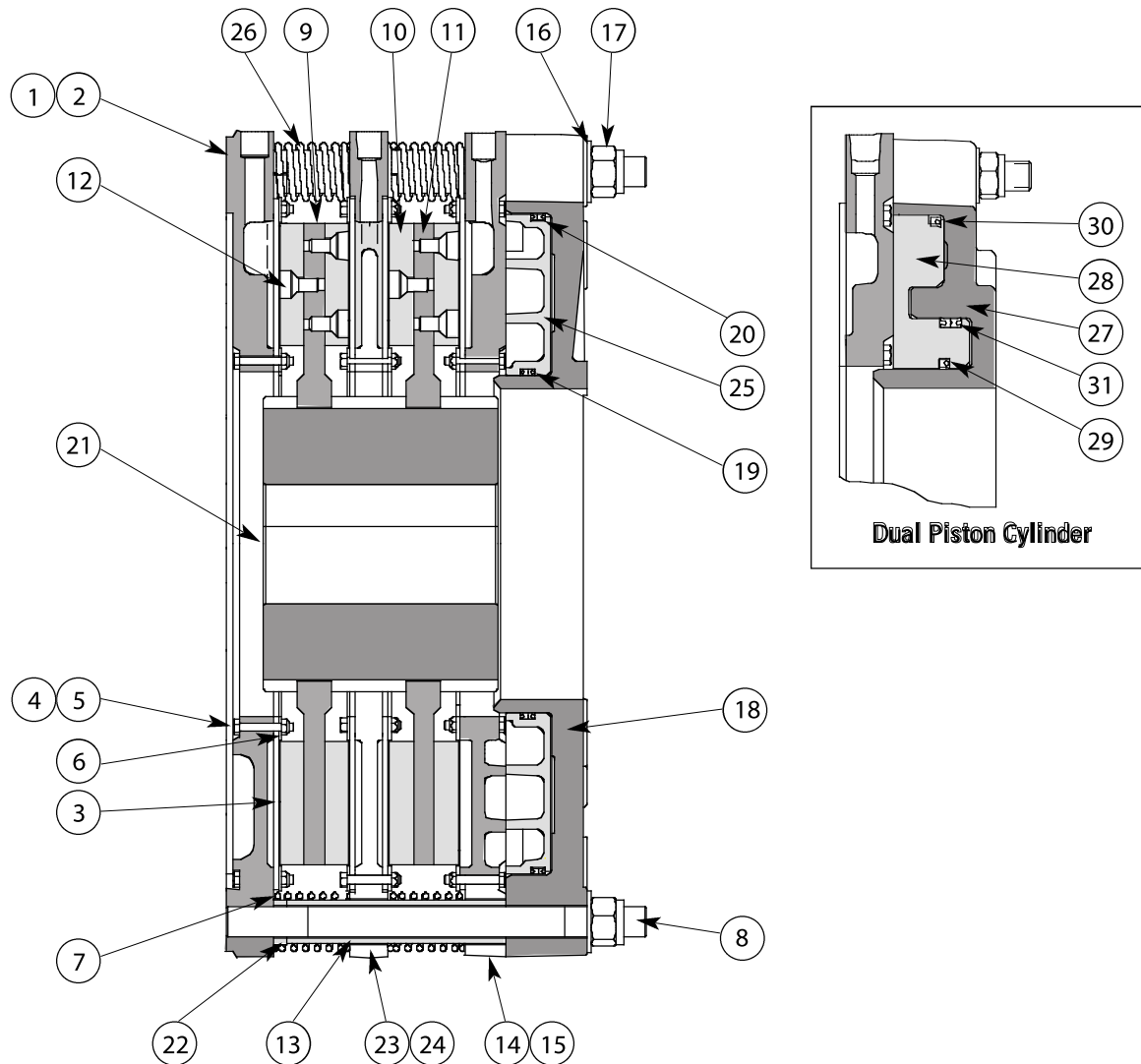


# WCB2 & WCBD Component Parts



Item	Description
1	Mounting Flange Sub-Assembly
2	Mounting Flange
3	Wear Plate
4	Hex Head Screw
5	Locknut
6	Inner Support Ring
7	Outer Support Ring
8	Stud
9	Friction Disc Sub-Assembly
10	Friction Disc
11	Friction Disc Core
12	Flat Head Screw
13	Clamp Tube
14	Pressure Plate Sub-Assembly
15	Pressure Plate
16	Flat Washer

Item	Description
17	Lock Nut
18	Cylinder
19	Inner Seal
20	Outer Seal
21	Gear
22	Wear Spacer
23	Reaction Plate Sub-Assembly
24	Reaction Plate
25	Piston
26	Release Spring
27	Dual Piston Cylinder
28	Dual Piston
29	Dual Piston Inner Seal
30	Dual Piston Outer Seal
31	Dual Piston Intermediate Seal

**Note:**

Dual disc unit shown. Other multi-disc units are similar. Items 23 and 24 are not required for single disc units.